



## eBIG.NINE 475

ART.NR.: 839623

FARBE: COOL GREY (MATT BLACK)

RAHMENGRÖSSEN: S-M-L-XL

## eBIG.NINE 400

ART.NR.: 839767

FARBE: COOL GREY (MATT BLACK)

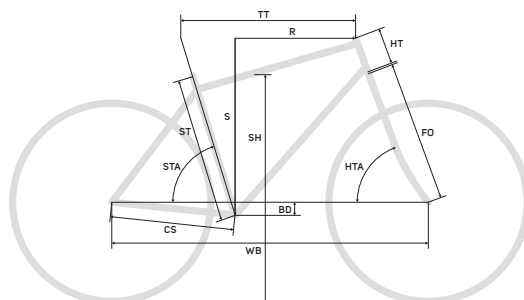
RAHMENGRÖSSEN: S-M-L-XL



### Spezifikationen

<b>MOTOR</b>	<b>Shimano EP8; 85Nm</b>	<b>KURBELSATZ</b>	Shimano CRE70-B; 34 ATC
<b>AKKU</b>	<b>475: Simplo Internal Battery; 750Wh</b> <b>400: Shimano E8036; 630Wh</b>	<b>KASSETTE</b>	Shimano M4100; 11-46 ATC; 10 Gang
<b>DISPLAY</b>	Shimano SC-E5003A	<b>KETTE</b>	CNHG54
<b>GÄNGE</b>	10 Gänge	<b>FELGE</b>	ALUMINIUM; MERIDA COMP CC; 20 IWR
<b>RAHMEN</b>	eBIG.NINE LITE III; MAT aluminium; 29" WHS; 148x12 AST; intube; max. 630 Wh	<b>REIFEN</b>	V: Maxxis Ikon; 29x2.2"; kevlar bead H: Maxxis Ikon; 29x2.2"; kevlar bead
<b>GABEL</b>	Suntour XCM34-Boost LOR DS; 100mm; Tapered; 51mm fork offset	<b>NABE V</b>	Shimano MT400-B; 110x15 WHF; 32 SPH; Centerlock
<b>SCHALTWERK</b>	Shimano Deore RDM5120 10	<b>NABE H</b>	Shimano MT400-B; 148x12 WHR; 36 SPH; Centerlock
<b>SCHALTHEBEL</b>	Shimano Deore M4100-RC clamp band 10	<b>SATTELSTÜTZE</b>	MERIDA EXPERT CC; MAT aluminium; 34,9 DSP; 0 SSB
<b>BREMSEN</b>	V: Shimano MT-200; 2 piston H: Shimano MT-200; 2 piston	<b>SATTEL</b>	MERIDA Comp CC; V-mount

### Geometrie



eBIG.NINE LITE III				
FS	S	M	L	XL
TS	29"	29"	29"	29"
ST	380	430	480	530
TT	588	605	625	645
CS	465	465	465	465
HTA	67.5	67.5	67.5	67.5
STA	74.5	74.5	74.5	74.5
BD	62.5	62.5	62.5	62.5
HT	115	120	130	140
FL	527	527	527	527
R	411	427	445	462
S	636	640	650	659
WB	1165	1183	1204	1225
SH	719	750	794	835